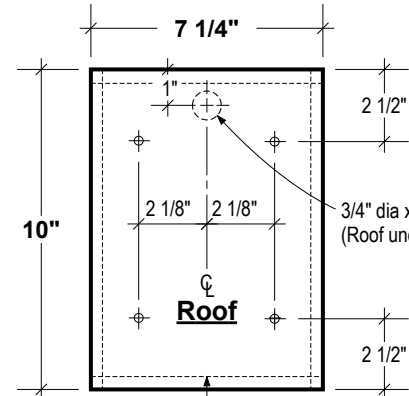
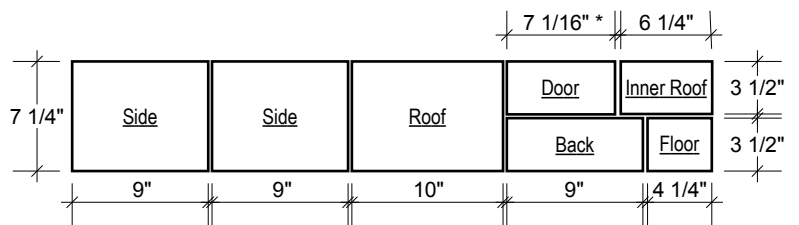
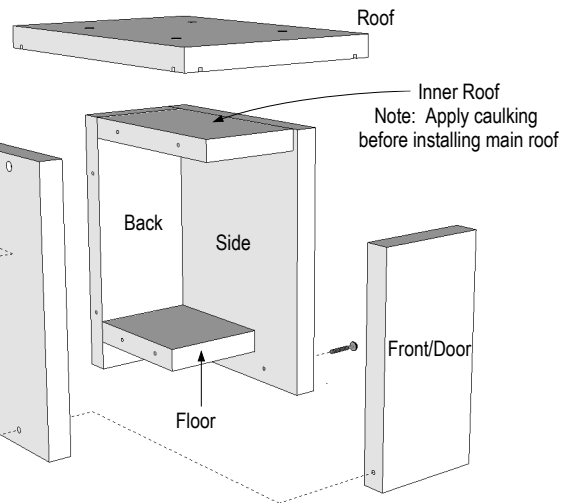
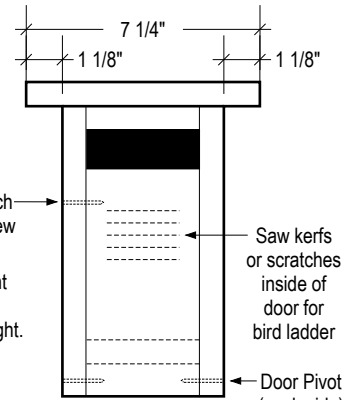
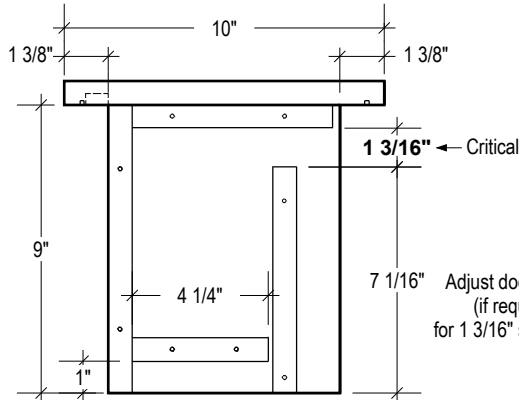


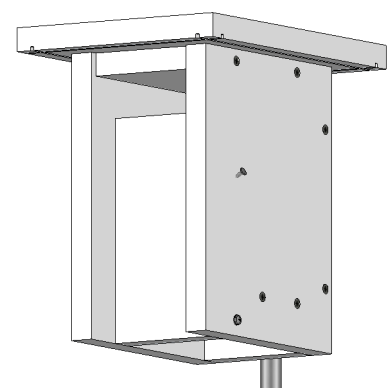
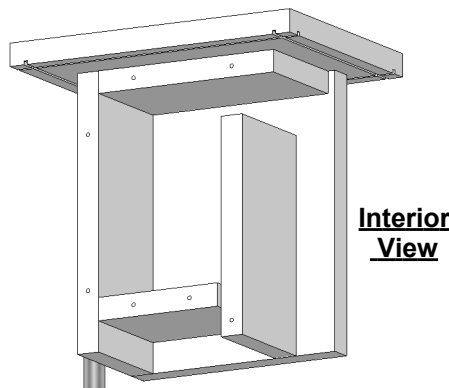
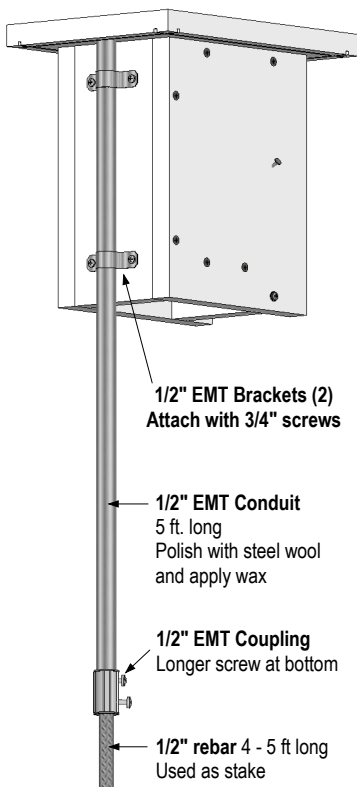
Note
3 1/2" parts may be cut from 1 x 4



Saw kerfs on roof underside
3/8" in from edge x 1/8" deep



Gilbertson Conduit/Rebar Mounting System



Quan	Material
42"	1 x 8 (3/4" x 7 1/4")
16	#8 x 1 5/8" exterior wood screws
1	#8 x 1 5/8" Latch screw (or nail)
1	Conduit/Rebar Mounting System

Gilwood Slot
Bluebird Nestbox

Original Gilwood design by Steve Gilbertson - Aitkin, Mn

Drawn by: Fred Stille, Sr. Version 1.0, Sept 8, 2011 Page 1 of 1