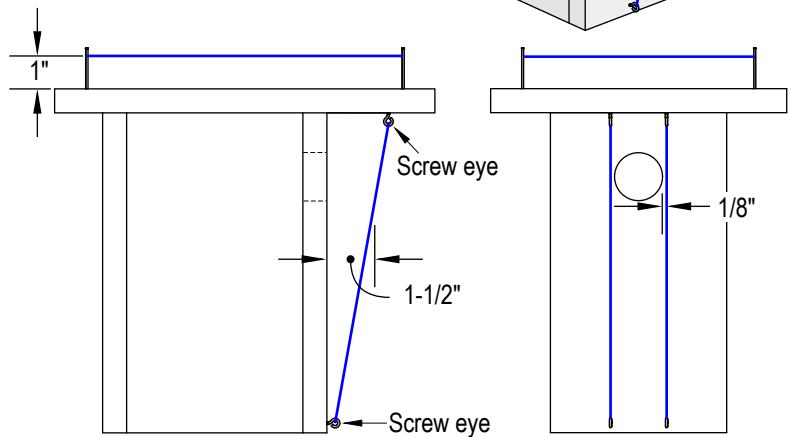
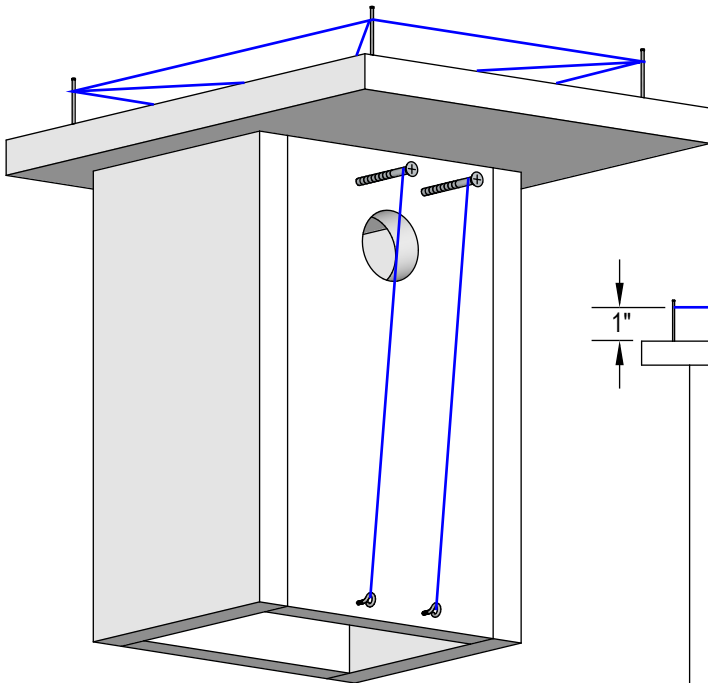


Side Opening Nest Box

- Material
 (4) Finish nails 1 1/2" - 2" long (#4d - #6d)
 (4) Screw Eyes
 Monofilament fishing line (6 - 10 lb test)

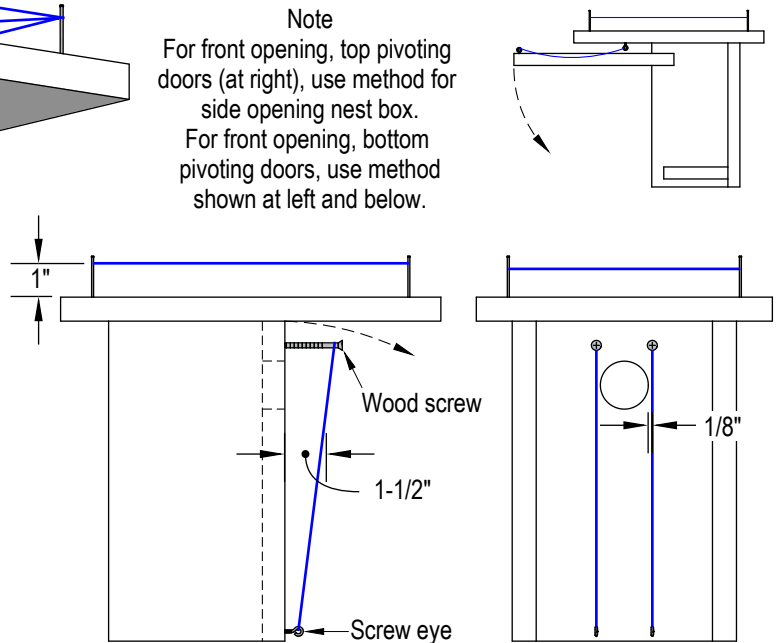


Space monofilament 1-1/2" in front of entry and 1/8" to either side



Front Opening Nest Box

- Material
 (4) Finish nails 1 1/2" - 2" long (#4d - #6d)
 (2) Screw Eyes
 (2) 2-1/2" - 3" exterior wood screws
 Monofilament fishing line (6 - 10 lb test)



Space monofilament 1-1/2" in front of entry and 1/8" to either side

Monofilament Sparrow Deterrent

For front and side opening nest boxes
 Designed by Carl Gleditsch
 (based on original design by sialis.org)